

WORKSPACE48™

Agile

Standing up at work is more than just a trend, it is also a healthier option. Move up another level with a sit/stand adjustment at the press of a button and equip your office workspace with the ability to adapt to suit multiple user's preferences.



AGILE SINGLE SIDED



STANDARD FEATURES

- Black powdercoat and Arctic White powdercoat to all steel components
- Stock laminates are shown below*. Other finish options are available with extended lead times.
- Standard screen colours in Spectrum Red, Deep Grey, and Bright Blue
- Overload operation protection
- Electronic screen displaying exact height with 4 preset height settings
- Wide base foot and leveler for adjustment
- Height range: 26" - 43.5"
- Load capacity: 225 lbs.
- Height adjustment speed: 1"/second
- BIFMA compliant

STANDARD FRAME SIZES ACCOMMODATE WORKSURFACE SIZES

48"w x 24"d	60"w x 30"d
48"w x 30"d	72"w x 24"d
60"w x 24"d	72"w x 30"d



Single-sided Desk

10 YEAR GUARANTEE*
*5 Year Guarantee on electric motor

Laminate



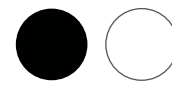
Classic White

Continental Walnut

Landmark Wood

Grey Elm

Frame Color



Black

White

Screen Color



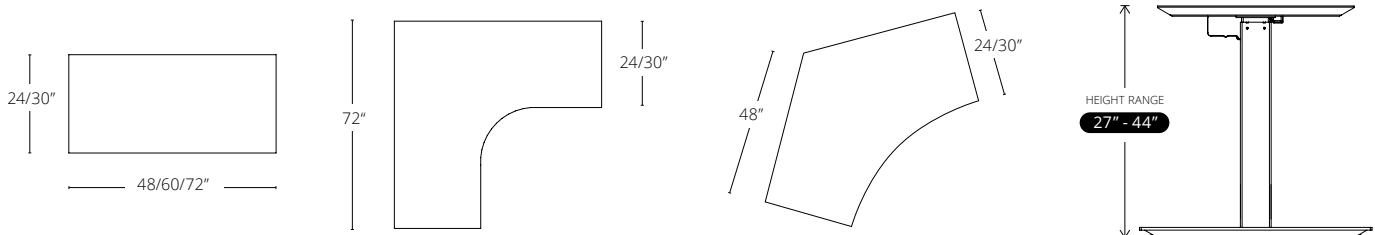
Bright Blue

Spectrum Red

Deep Grey

*Extended lead times on 90° worksurfaces

UNIT DIMENSIONS



AGILE BACK-TO-BACK



STANDARD FEATURES

- Black powdercoat and Arctic White powdercoat to all steel components
- Stock laminates are shown below. Other finish options are available with extended lead times
- Standard screen colours in Spectrum Red, Deep Grey, and Bright Blue
- Overload operation protection
- Electronic screen displaying exact height with 4 preset height settings
- Wide base foot and leveler for adjustment
- Height range: 26" - 43.5"
- Load capacity: 225 lbs.
- Height adjustment speed: 1" second
- BIFMA compliant

STANDARD FRAME SIZES ACCOMMODATE WORKSURFACE SIZES

48"w x 24"d	60"w x 30"d
48"w x 30"d	72"w x 24"d
60"w x 24"d	72"w x 30"d



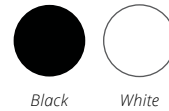
Single-sided Desk

10 YEAR GUARANTEE*
*5 Year Guarantee on electric motor

Laminate



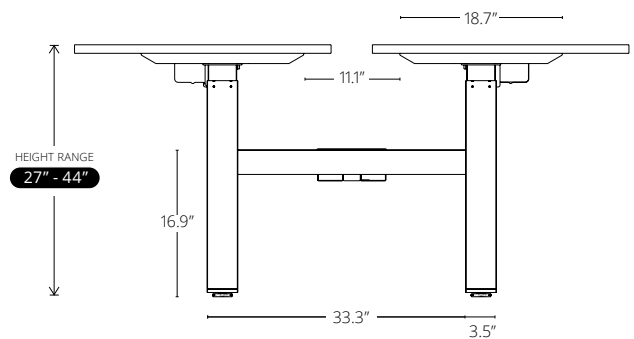
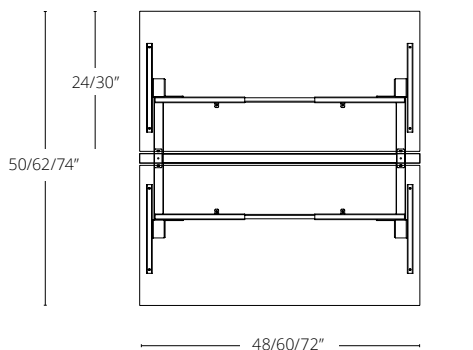
Frame Color



Screen Color



UNIT DIMENSIONS



DIVIDERS & ELECTRICAL



DIVIDERS

STANDARD FEATURES

- Spine screens clamp onto the desk worktop
- Adjustable height between 13"-18"
- Divider panels slide onto the desk worktop
- e-Panel produced from recycled materials
- All e-Panel material is tackable

STANDARD SIZES

Spine Screens

• 47" x 24"

• 59" x 24"

Divider Panels

• 23" x 12"

• 29" x 12"

IN-STOCK COLOR OPTIONS



**Additional color options available at extended lead time.*



Spine screen for single sided desk



Spine screen for double sided desk



Slide on return divider panel

CABLE MANAGEMENT



Cable cobra



Cable clutch



Single sided under-mount cable tray



Double sided under-mount cable tray

POWER MODULES



Voltra above desk clamp-on power module